

VEGO BTT 01



Description

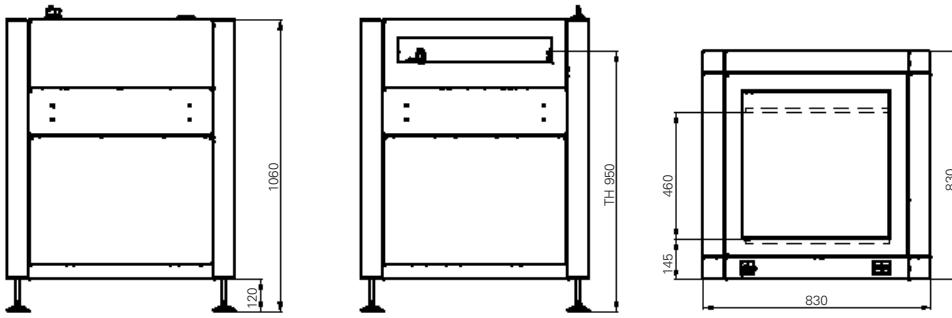
The Turn Table is typically located in a SMD line which requires a 90 degree turn or a sorting feature. The conveyor segment is mounted on an pneumatic turn table and PCBs are routed based upon the run mode or an external signal. Possible run modes are pass through, load, offload and sort. The powder coated steel frame ensures process stability and excellent durability.

Features

- _ Turn
- _ Start / Stop push button
- _ Anti-static conveyor belts
- _ SMEMA Interface

Options

- _ Transport height 850 mm \pm 50 mm
- _ Electrical width adjustment
- _ Inlet conveyor 530 mm ^{b) c)}
- _ Outlet conveyor 530 mm ^{b) c)}
- _ T-Controller function



VEGO BTT 01

Machine Configuration

| | |
|----------------------|----------------------|
| Transport height | 950 mm ± 50 mm |
| Max. transport width | 460 mm |
| Interface | SMEMA |
| Transfer direction | from left to right |
| Operating side | Front of the machine |
| Fixed rail | Front of the machine |

The adjacent upstream and downstream modules must have screwed-on covers.

Panel Dimensions

| | |
|---------------------|---------------|
| Panel length | 70 to 460 mm |
| Panel width | 50 to 460 mm |
| Panel thickness | 0.8 to 4.5 mm |
| Component clearance | ± 40 mm |
| Panel weight | to 3 kg |

Installation Requirements

| | |
|---------------------|----------------------------------|
| Power supply | 230 V / 115 V, 50 / 60 Hz, ± 10% |
| Power supply system | L1 + N + PE |
| Power consumption | 0,16 kW |
| Air supply | 6 bar |
| Air consumption | 15 NI/min |

Machine Description

| | |
|-------------------------|---------------------|
| Length x Width x Height | 830 x 830 x 1060 mm |
| Netto weight | 150 kg |
| Noise Level | < 75 dB |

Upgrades

Control panel T70
 Additional interface protocol
 Automatic width adjustment ^{a)}
 Pass through with load, offload function
 Good/Bad sorting
 Machine networking via IC Net

a) only with control panel T70

b) Connection of maximum 2 additional conveyors.

c) The conveyors must have screwed-on covers