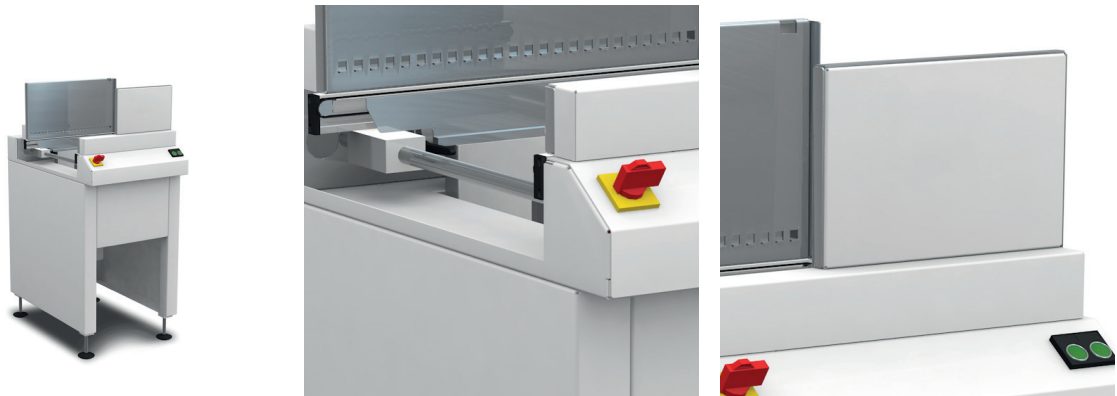


VEGO Series – A New Generation of Handling Modules

Bare Board Stacker

VEGO Compact

VEGO BST 01



Description

The Bare Board Unloader collects PCBs at the end of the production line into a single stack. The incoming PCB is positioned on the integrated conveyor.

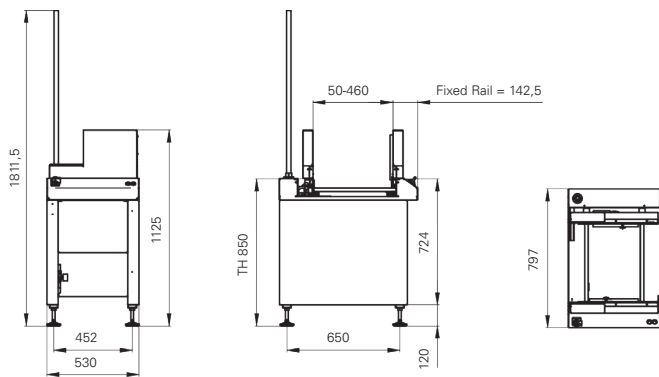
A lift unit then adds the PCB to the bottom of the stack. The maximum stack height is 200 mm and can be removed manually. The powder coated steel frame ensures process stability and excellent durability.

Features

- _ Pneumatic restacking
- _ Start / Stop push button
- _ Anti-static conveyor belts
- _ Single-color signal lamp and horn
- _ SMEMA Interface

Options

- _ Transport height 850 mm \pm 50 mm
- _ Electrical width adjustment
- _ Pass through mode



VEGO BST 01

Machine Configuration

Transport height	950 mm ± 50 mm
Max. transport width	460 mm
Interface	SMEMA
Transfer direction	from left to right
Operating side	Front of the machine
Fixed rail	Front of the machine

Panel Dimensions

Panel length	70 to 460 mm
Panel width	50 to 460 mm
Panel thickness	0.8 to 4.5 mm
Component clearance	+40 / -40 mm (at 7 mm edge support)
Max. Stack height	200 mm
Max. Stack weight	20 kg
Panel weight	to 3 kg

Installation Requirements

Power supply	230 V / 115 V, 50 / 60 Hz, ± 10%
Power supply system	L1 + N + PE
Power consumption	0,15 kW
Air supply	6 bar
Air consumption	12 NI/min

Machine Description

Length x Width x Height	530 x 797 x 1231 mm
Netto weight	85 kg
Noise Level	< 75 dB

Upgrades

Control panel T70
 Additional interface protocol
 Automatic width adjustment ^{a)}
 Machine networking via IC Net

a) only with control panel T70