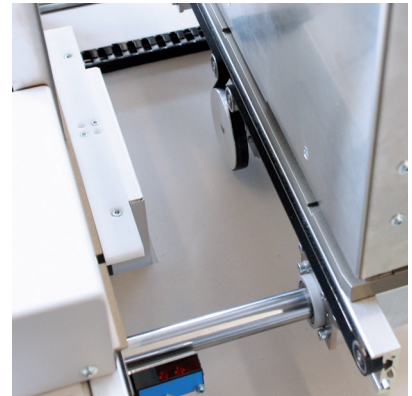


VEGO BDS 01



Description

The Bare Board Loader separates PCBs from a stack and feeds them to the production line, by dropping the bottom PCB onto the conveyor belt.

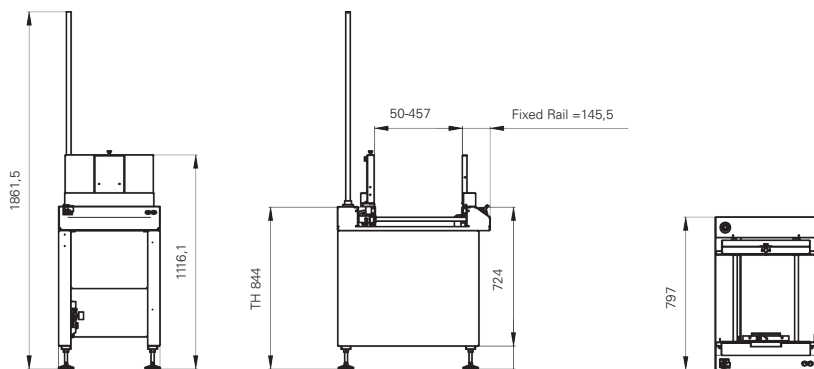
The magazine stack height is 200 mm, new PCBs can be added on the top of the stack without stopping the system. The powder coated steel frame ensures process stability and excellent durability.

Features

- _ Pneumatic side clamping head
- _ Start / Stop push button
- _ Anti-static conveyor belts
- _ Single-color signal lamp and horn
- _ SMEMA Interface

Options

- _ Transport height 850 mm \pm 50 mm
- _ Electrical width adjustment
- _ Pass through mode



VEGO BDS 01

Machine Configuration

| | |
|----------------------|----------------------|
| Transport height | 950 mm ± 50 mm |
| Max. transport width | 460 mm |
| Interface | SMEMA |
| Transfer direction | from left to right |
| Operating side | Front of the machine |
| Fixed rail | Front of the machine |

Panel Dimensions

| | |
|---------------------|--|
| Panel length | 70 to 460 mm |
| Panel width | 50 to 460 mm |
| Panel thickness | 0.8 to 4.5 mm |
| Component clearance | +18 / -22 mm (at 3 mm edge support) +40 / -40 mm (at 7 mm edge support) |
| Max. Stack height | 200 mm |
| Max. Stack weight | to 20 kg |
| Panel weight | to 3 kg |

Installation Requirements

| | |
|---------------------|----------------------------------|
| Power supply | 230 V / 115 V, 50 / 60 Hz, ± 10% |
| Power supply system | L1 + N + PE |
| Power consumption | 0.15 kW |
| Air supply | 6 bar |
| Air consumption | 12 NI/min |

Machine Description

| | |
|-------------------------|---------------------|
| Length x Width x Height | 530 x 797 x 1222 mm |
| Netto weight | 85 kg |
| Noise Level | < 75 dB |

Upgrades

Control panel T70
 Additional interface protocol
 Automatic width adjustment ^{a)}
 Machine networking via IC Net

a) only with control panel T70

**ASYS
GROUP**

ASYS Automatisierungssysteme GmbH
 Benzstrasse 10,
 89160 Dornstadt, Germany
 Tel (+49) 7348 9855 0
 Fax (+49) 7348 9855 91
 info@asys.de

For more information visit
www.asys-group.com

Subject to change without notice.
 Some general descriptions and performance characteristics may not be applicable to all products. Technical specifications are subject to change without notice. Only features and technical data provided in purchasing contract are legally binding.

Printed in Germany