

VEGO BBS 20



Description

The BBS 20 buffer station consists of multiple closed conveyor segments built on top of each other for intermediate storage of up to 20 PCBs for subsequent handover to the downstream system.

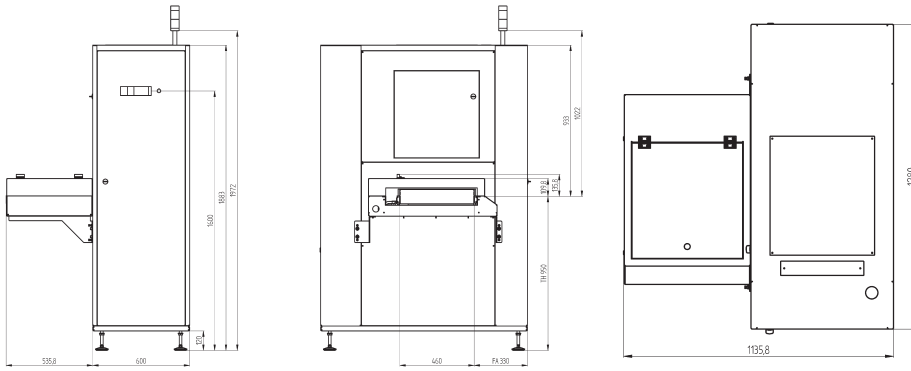
Arriving PCBs are taken over onto the buffer segment and positioned. If required, the PCBs can be buffered and automatically handed over to the downstream machine using the FIFO principle. It can be used to store PCBs after an oven, a pick-and-place or inspection (AOI) system for compensation of process-related downtimes. The BBS 20 functions according to the FIFO (First In / First Out) principle. The design of the buffer allows to handle easily PCB's with sidelong cut-outs

Features

- _ LCD control panel
- _ Product memory function
- _ Operating modes:
 - FIFO
 - Pass-through
- _ Cycle time < 25s at FIFO
- _ Light tower, single stage with buzzer
- _ Anti-static conveyor belts
- _ SMEMA Interface

Options

- _ Transport height 850 mm \pm 50 mm
- _ Electrical width adjustment
- _ Automatic width adjustment
- _ LIFO mode
- _ Inlet/outlet conveyor with cover
- _ Safety shutter at inlet and/or outlet
- _ Cooling function with fans
- _ Error loop
- _ Good / Bad- sorting function



VEGO BBS 20

Machine Configuration

| | |
|----------------------|----------------------|
| Transport height | 950 mm ± 50 mm |
| Max. transport width | 460 mm |
| Interface | SMEMA |
| Transfer direction | from left to right |
| Operating side | Front of the machine |
| Fixed rail | Front of the machine |

Buffer Description

| | |
|-----------------|----------|
| Buffer spacing | 25 mm |
| Buffer capacity | 20 Slots |

Panel Dimensions

| | |
|---------------------|--------------|
| Panel length | 70 to 460 mm |
| Panel width | 50 to 460 mm |
| Panel thickness | 0.5 to 3 mm |
| Component clearance | ± 40 mm |
| Panel weight | to 2 kg |
| Total weight | max. 20 kg |

Installation Requirements

| | |
|---------------------|----------------------------------|
| Power supply | 230 V / 115 V, 50 / 60 Hz, ± 10% |
| Power supply system | L1 + N + PE |
| Power consumption | 0,5 kW |
| Air supply | 6 bar |
| Air consumption | 10 NI/min |

Machine Description

| | |
|-------------------------|-----------------------|
| Length x Width x Height | 1206 x 1280 x 1883 mm |
| Netto weight | < 300 kg |
| Noise Level | < 75 dB |

Upgrades

Machine networking via IC Net